

Gemini Clips
(Installation Clips installed reversed)
Qty. of 2 at the mull ends

EXTERIOR ELEVATION

| | MAX. FRAME SIZE (IN.) | IMPACT |
|----------------------------------|-----------------------|--------|
| Double Hung | 45 1/2 x 80 7/16 | NO |
| Studio | 77 1/2 x 80 7/16 | |
| APPLICABLE FOR SINGLE UNITS ONLY | | |

| FRAME ANCHOR REQUIREMENTS TABLE | | |
|---|---------------|--------------------|
| FRAME/CLIP TO OPENING FASTENER TYPE | MINIMUM EMBED | MINIMUM EDGE DIST. |
| #10 PFH screws into frame and wood substrate | 1-1/4" | See pg. 3 |
| #8 PFH Zinc treated screws into clip and wood substrate at an angle | 1-1/2" | — |
| #8 PFH Zinc treated screws into clip and frame | FULL | See pg. 2 |

| Installation Method | |
|--|--|
| Installation Clips | Screws thru the Frame |
| <p>STUDIO Side = 13-13/32" from corners and on center Head & Sill = 12-15/16" from corners and on center</p> <p>DOUBLE HUNG Side = 13-13/32" from corners and on center Head = 15-3/16" from corners and on center Sill = None</p> | <p>STUDIO Side = #10 PFH screws spaced 8-15/16" from corners and on center Head & Sill = #10 PFH screws spaced 9-11/16" from corners and on center</p> <p>DOUBLE HUNG Side = #10 PFH screws spaced 9" from corners and on center Head = #10" PFH screws spaced 15-3/16" from corners and on center Sill = None</p> |

GENERAL NOTES

1. These units have been tested, analyzed, Hallmark certified, and FBC approved.
2. Bucking, openings, and bucking fasteners must be properly designed and installed to transfer wind loads to the structure. The unit was tested with 1/2" rough opening gap.
3. These units were tested with ponderosa pine bucks, Florida building code requires preservative treated southern pine bucks.
4. All hardware and fasteners shall be in accordance with these drawings and may not vary unless specifically mentioned on the drawings.
5. These units have been tested in accordance with and meet the requirements of the Florida Building Code.
6. Impact shutters are required only with non-impact units.
7. All anchors shall be installed as specified on these drawings. Specified embedment base material shall be beyond wall finish or stucco.
8. Testing of one wood species covers all other species with an equal or higher modulus of elasticity and modulus of rupture.
9. Testing of primed covers testing of clad as long as cladding is not structural (extruded), or wraps around the gasket.
10. Testing of windows and doors with a given width and thickness of solid stiles and rails, covers products with wider and thicker solid stiles and rails provided that construction details are consistent.
11. Any fixed geometric shape that fits within the tested/approved size for a particular product type is qualified by the rectangular shape(s) provided that the frame, sash, panels, components, and construction remain the same.
12. All fixed shaped units must fit inscribed into the allowable rectangular units and be governed by allowable design pressure or the respective rectangular unit.
13. Shims need to be located a maximum of 4" from each corner and a maximum of 4" from each anchor location.

KOLBE 1323 South 11th Ave.
Wausau, WI 54401
715-842-5666
■ WINDOWS & DOORS ■

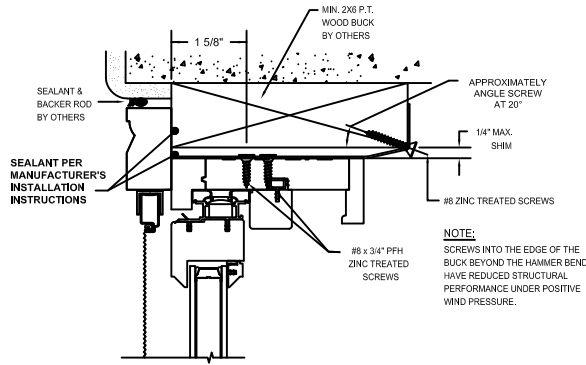
Heritage Series
Sterling Double Hung with Studio

| | |
|-----------------|-------------------|
| FL# 10398 | R&D No. 12115 |
| Revision | Drawn By: MKL |
| A 10/3/2016 MKL | Date: 7/21/2015 |
| B SES 12/17/20 | Sheet: 1 of 3 |
| C | Drawing No. 12115 |

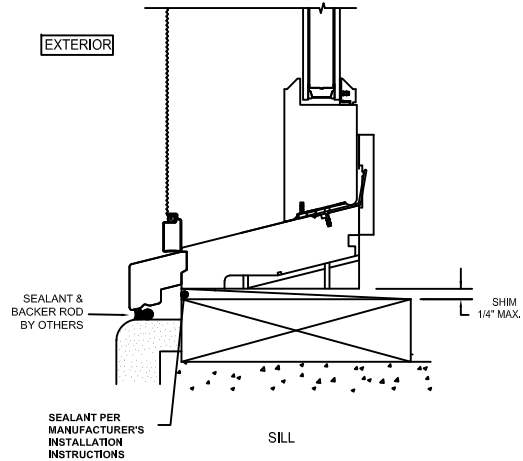
Installation Clip Installation

Double Hung

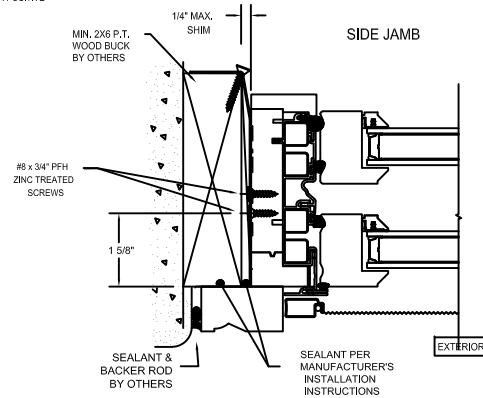
HEAD



EXTERIOR



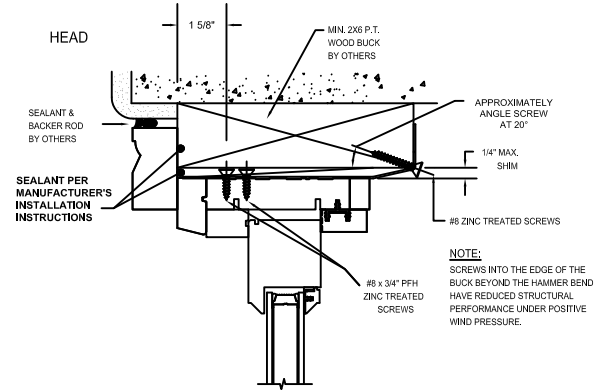
SILL



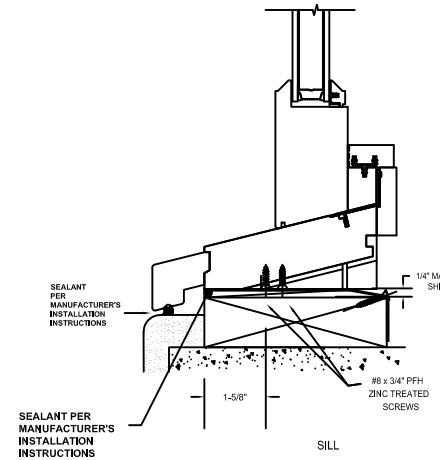
SIDE JAMB

Studio

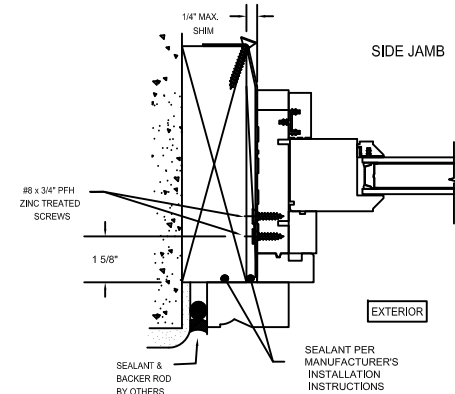
HEAD



EXTERIOR



SILL



SIDE JAMB

GENERAL NOTES

1. These units have been tested, analyzed, Hallmark certified, and FBC approved.
2. Bucking, openings, and bucking fasteners must be properly designed and installed to transfer wind loads to the structure. The unit was tested with 1/2" rough opening gap.
3. These units were tested with ponderosa pine bucks, Florida building code requires preservative treated southern pine bucks.
4. All hardware and fasteners shall be in accordance with these drawings and may not vary unless specifically mentioned on the drawings.
5. These units have been tested in accordance with and meet the requirements of the Florida Building Code.
6. Impact shutters are required only with non-impact units.
7. All anchors shall be installed as specified on these drawings. Specified embedment base material shall be beyond wall finish or stucco.
8. Testing of one wood species covers all other species with an equal or higher modulus of elasticity and modulus of rupture.
9. Testing of primed covers testing of clad as long as cladding is not structural (extruded), or wraps around the gasket.
10. Testing of windows and doors with a given width and thickness of solid stiles and rails, covers products with wider and thicker solid stiles and rails provided that construction details are consistent.
11. Any fixed geometric shape that fits within the tested/approved size for a particular product type is qualified by the rectangular shape provided that the frame, sash, panels, components, and construction remain the same.
12. All fixed shaped units must fit inscribed into the allowable rectangular units and be governed by allowable design pressure or the respective rectangular unit.
13. Shims need to be located a maximum of 4" from each corner and a maximum of 4" from each anchor location.
14. Testing of a combination assembly qualifies the individual units of that assembly with width & height less than or equal to the individual test unit size. Anchorage of the individual units shall be at all perimeter locations in accordance with these drawings.

KOLBE 1323 South 11th Ave.
Wausau, WI 54401
715-842-5666
■ WINDOWS & DOORS ■

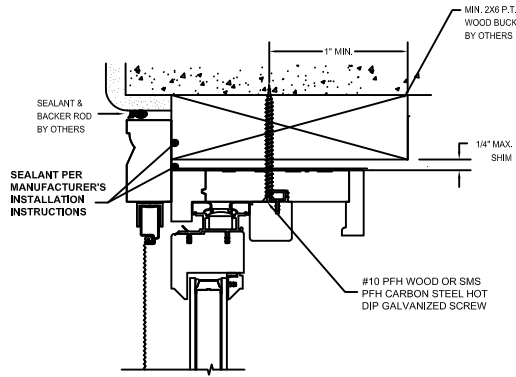
Heritage Series
Sterling Double Hung with Studio

| | |
|-----------|--------------------|
| FL# 10398 | R&D No. 12115 |
| Revision | Drawn By: SES |
| A | Date: 12/17/20 |
| B | Sheet: 2 of 3 |
| C | Drawing No. 12115A |

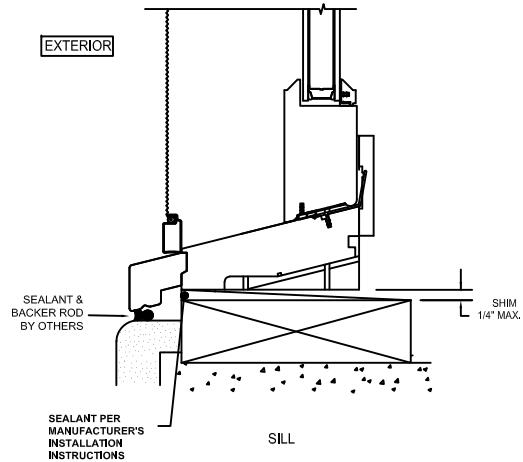
Screw Installation

Double Hung

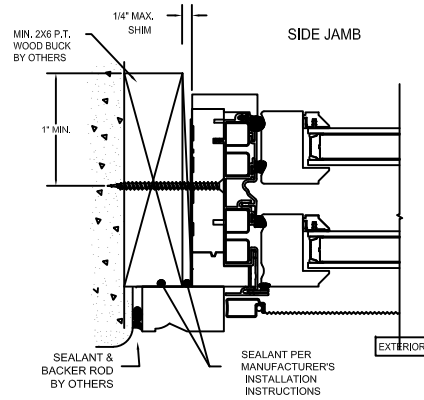
HEAD



EXTERIOR

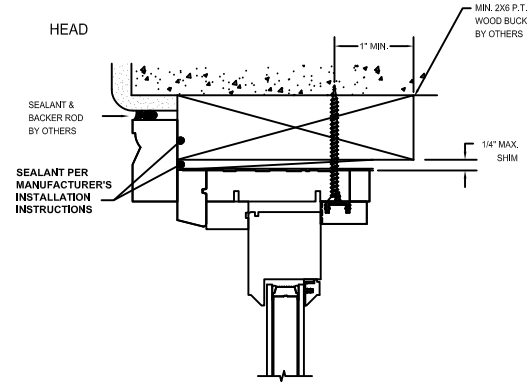


1/4" MAX. SHIM
MIN. 2X6 P.T. WOOD BUCK BY OTHERS
SIDE JAMB

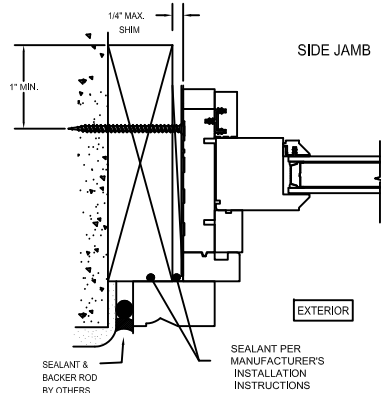
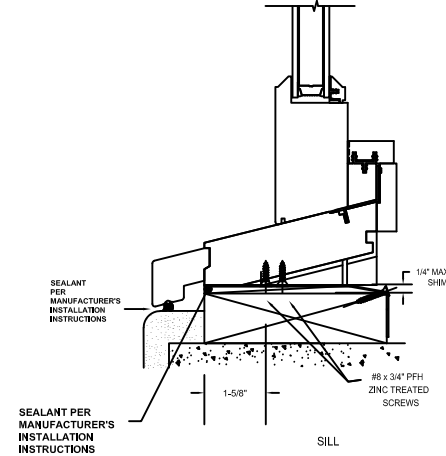


Studio

HEAD



EXTERIOR



GENERAL NOTES

1. These units have been tested, analyzed, Hallmark certified, and FBC approved.
2. Bucking, openings, and bucking fasteners must be properly designed and installed to transfer wind loads to the structure. The unit was tested with 1/2" rough opening gap.
3. These units were tested with ponderosa pine bucks, Florida building code requires preservative treated southern pine bucks.
4. All hardware and fasteners shall be in accordance with these drawings and may not vary unless specifically mentioned on the drawings.
5. These units have been tested in accordance with and meet the requirements of the Florida Building Code.
6. Impact shutters are required only with non-impact units.
7. All anchors shall be installed as specified on these drawings. Specified embedment base material shall be beyond wall finish or stucco.
8. Testing of one wood species covers all other species with an equal or higher modulus of elasticity and modulus of rupture.
9. Testing of primed covers testing of clad as long as cladding is not structural (extruded), or wraps around the gasket.
10. Testing of windows and doors with a given width and thickness of solid stiles and rails, covers products with wider and thicker solid stiles and rails provided that construction details are consistent.
11. Any fixed geometric shape that fits within the tested/approved size for a particular product type is qualified by the rectangular shape provided that the frame, sash, panels, components, and construction remain the same.
12. All fixed shaped units must fit inscribed into the allowable rectangular units and be governed by allowable design pressure or the respective rectangular unit.
13. Shims need to be located a maximum of 4" from each corner and a maximum of 4" from each anchor location.
14. Testing of a combination assembly qualifies the individual units of that assembly with width & height less than or equal to the individual test unit size. Anchorage of the individual units shall be at all perimeter locations in accordance with these drawings.

KOLBE 1323 South 11th Ave.
Wausau, WI 54401
715-842-5666
■ WINDOWS & DOORS ■

Heritage Series
Sterling Double Hung with Studio

| | |
|-----------|--------------------|
| FL# 10398 | R&D No. 12115 |
| Revision | Drawn By: SES |
| A | Date: 12/17/20 |
| B | Sheet: 3 of 3 |
| C | Drawing No. 12115B |